

## EXCITE Series

**TEM<sub>00</sub> beam profile**  
**Long coherence length**  
**Q-switched solid-state lasers**  
**Tailored to match your needs**

### General description

The EXCITE is a single frequency all-solid-state laser system for applications in the UV such as wafer inspection, calibration of spectrometers and interferometric applications. The spectral bandwidth of less than 50 MHz is near its theoretical Fourier limit.

The laser provides short pulses in a diffraction-limited beam with  $M^2 < 1.6$  at repetition rates between 1 and 30 kHz. The average output power is more than 150 mW at 266 nm, or 400 mW at 355 nm, with ultra-stable pulse traces and a long coherence length of more than 3.0 m in a rugged industrial design.

### Applications

**Raman spectroscopy**  
**Interferometry**  
**Lithography**  
**Fiber Bragg grating (FBG) production**  
**Spectrometer calibration**  
**Metrology**  
**Holography**

### Optional

**Graphical user interface**  
**LabVIEW libraries**  
**CDRH compliance shutter**

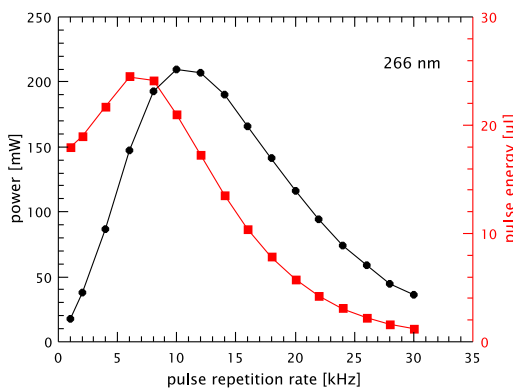
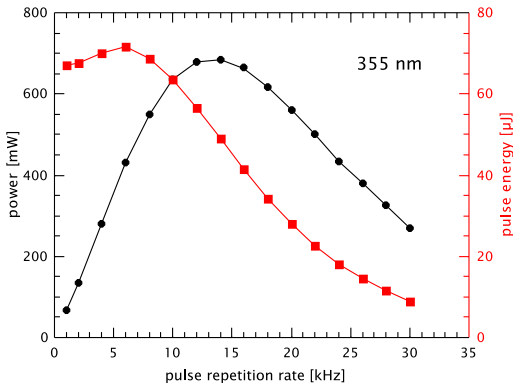
### Product specifications

Model	EXCITE 266	EXCITE 355	EXCITE 532	EXCITE 1064
Wavelength	266 nm	355 nm	532 nm	1064 nm
Average power	150 mW	400 mW	2.5 W	6 W
Pulse duration	10-15 ns	14-18 ns	15-20 ns	20-30 ns
Energy per pulse	7.5 $\mu$ J	20 $\mu$ J	125 $\mu$ J	300 $\mu$ J
Repetition rate	1-30 kHz	1-30 kHz	1-30 kHz	1-30 kHz
M <sup>2</sup>	< 1.7	< 1.3	< 1.2	< 1.2
Spectral bandwidth	< 60 MHz	< 50 MHz	< 50 MHz	< 30 MHz
Coherence length <sup>1)</sup>	> 2.5 m	> 3.0 m	> 3.0 m	> 5 m

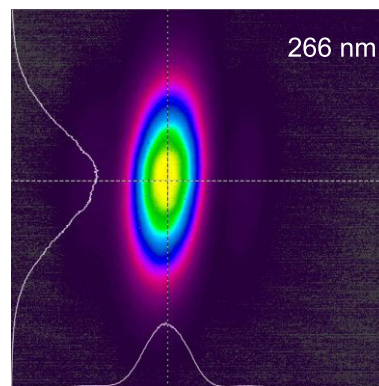
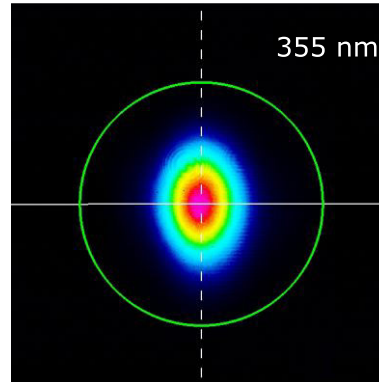
1) 50% contrast

\* Data at 20 kHz pulse repetition rate. Specifications are subject to change without notice due to product improvement.

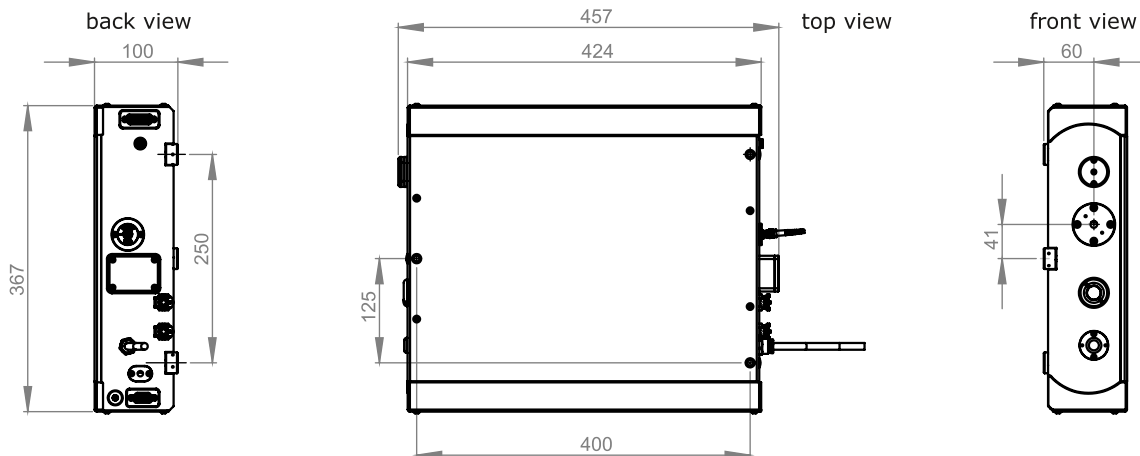
## Typical performance



## Typical beam profile



## Dimensions laser head



## System dimensions (L x W x H), weight

Component	Dimensions (L x W x H) [mm <sup>3</sup> ]	Weight [kg]
Laser head	541 x 220 x 76	24.6
Power supply	447 x 440 x 134	18.5
Chiller	447 x 440 x 134	12.0

## Electrical characteristics

Operating voltage	85-264 VAC
Frequency	47-63 Hz
Power consumption	350 W typ.

Visible and/or invisible laser radiation. Avoid eye or skin exposure to direct or scattered radiation.  
Class 4 laser (IEC 60825-1)



Xiton Photonics GmbH  
Kohlenhofstrasse 10  
D-67663 Kaiserslautern  
Germany

Tel.: +49 (0)631 414 9944-0  
Fax: +49 (0)631 414 9944-9  
sales@xiton-photonics.com  
www.xiton-photonics.com