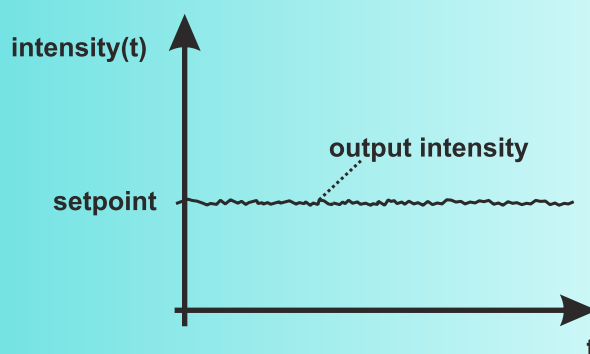
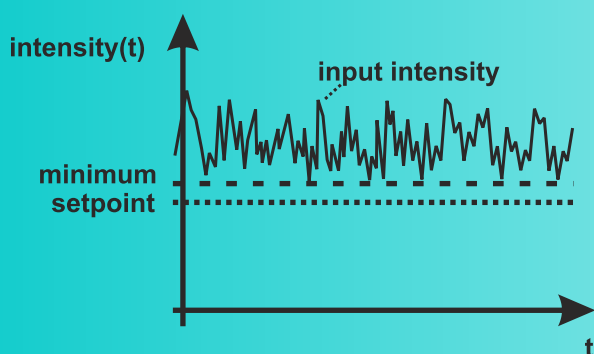


NoiseEater

Universal laser intensity stabilization

- **Intensity noise cancellation**
- **Controlled laser power setting or switching**
- **Fixed or automatic set point adjustment**
- **For use with AOM, EOM or micro stepping motor**
- **Including drivers HV or RF, resp. optional**

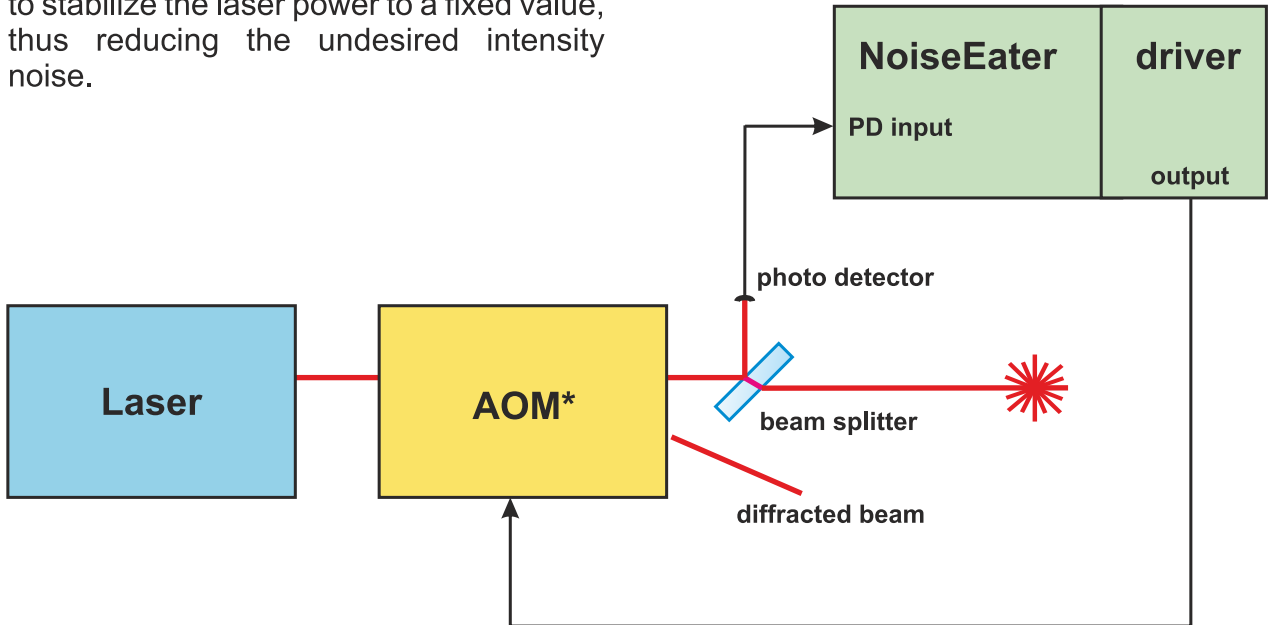
Example



Principle of Operation

Laser intensity stabilization

By means of acousto-optic or electro-optic modulators, or by rotating polarization optics, the power of a transmitted laser beam may be controlled electronically. The fast PID regulator of the *NoiseEater* allows to stabilize the laser power to a fixed value, thus reducing the undesired intensity noise.

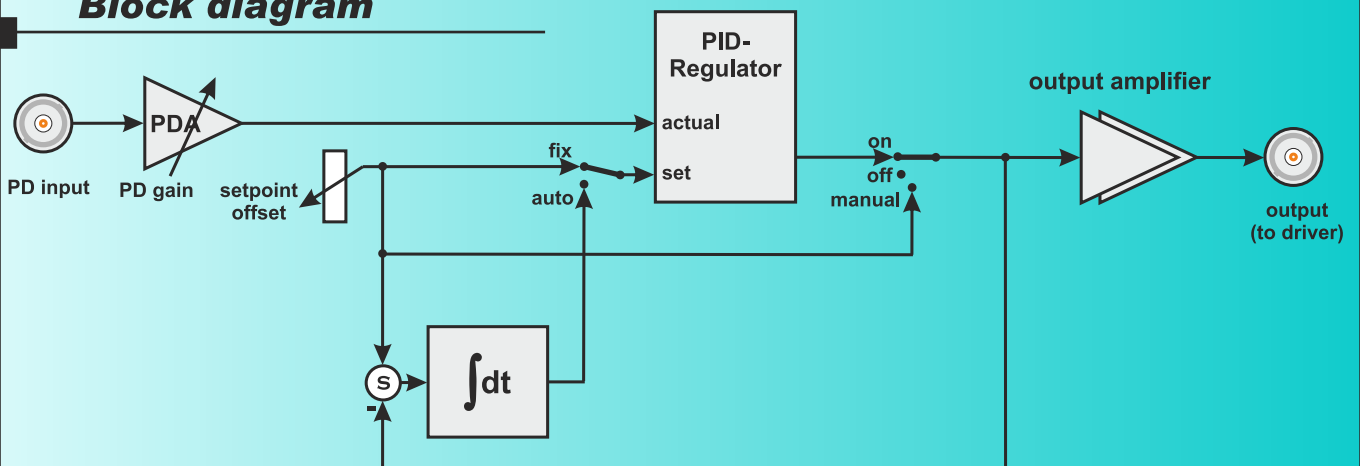


* or EOM, or rotating wave plate.

Auto set point

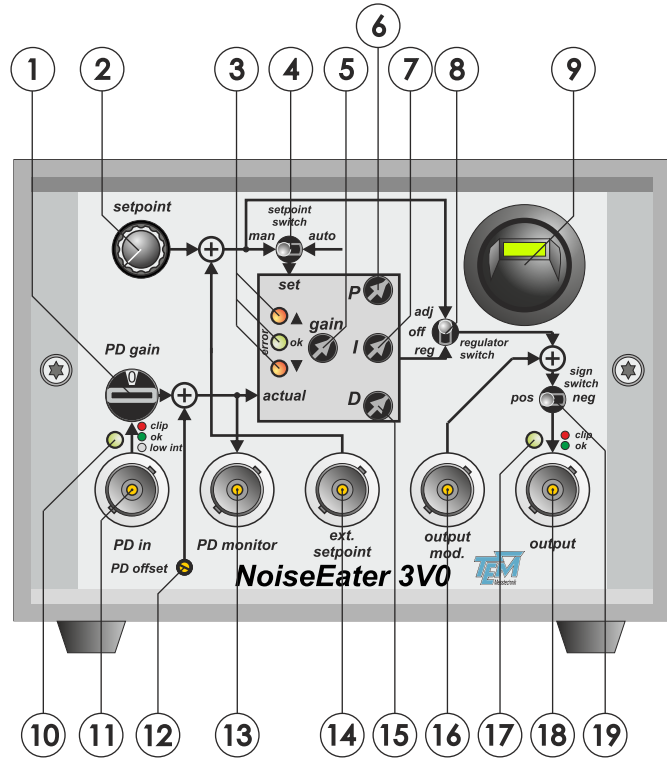
The *NoiseEater* offers a feature for automatic set point adjustment. That is, the user chooses a fixed average transmission of the AOM / EOM, say 90%, e.g. The *NoiseEater* PID then cancels out all short-term fluctuations of the laser power, while the long-term transmission of the AOM / EOM remains constant. The result is a sort of optical intensity lowpass filter.

Block diagram



User Elements

- 1 input gain
- 2 set point
- 3 discrimination of the error sign
- 4 fixed or automatic set point
- 5 regulator gain
- 6 P coefficient of regulator
- 7 I coefficient of regulator
- 8 regulator on/off or manual control
- 9 module on / off
- 10 input level indicator
- 11 input for photo detector
- 12 input offset compensation
- 13 output PD monitor signal
- 14 input for set point modulation
- 15 D coefficient of regulator
- 16 input for output modulation
- 17 output level indicator
- 18 output to AOM-/EOM driver
- 19 output sign switch pos/neg



The *NoiseEater* output voltage controls either the RF power driving an AOM, the voltage applied to an EOM, or the position of a micro-stepping motor. As an option, the suitable drivers are available as external or internal modules.

NoiseEater

Description

The *NoiseEater* contains an input amplifier with its gain switchable in steps of 1 / 3 / 10 / 30. If switch (8) is set to "adj", the output voltage can be adjusted directly by pot (2). If switch (8) is set to "reg", the output voltage is controlled by the PID regulator in such a way that the measured power equals the setpoint chosen by pot (2). If switch (4) is set to "auto", the *NoiseEater* chooses the setpoint automatically for best noise cancellation.

Both set point and output voltage may be modulated via BNC inputs.

Product Variants

- | | |
|--------------------------|--|
| "NoiseEater EOM": | Including high voltage amplifier |
| "NoiseEater AOM": | Including RF driver and power amplifier |
| "NoiseEater μ STEP": | Including micro step driver for motors |
| "NoiseEater MZM": | Including driver for Mach - Zehnder fiber modulator |
| "option TTL": | Digital input for triggered pulses |
| "option USB": | external control of parameters by PC via USB interface |

Technical Data

General:

Input voltage range: switchable 30 mV / 100 mV / 300 mV / 1 V
Bandwidth: up to 1 MHz (depending on actuator)

Optional AOM driver:

Frequency: customer specific: 40..220 MHz
RF power: up to 6 W

Optional EOM driver:

Output voltage range: customer specific: up to 1000 V
Output current: depending on output voltage range

Housing (H x W x L):

w/o driver: 88 mm x 125 mm x 209 mm (2 height units)
with driver: 88 mm x 260 mm x 261 mm (2 height units)

Power supply: 100...120 VAC / 200...240 VAC, 50...60 Hz

Subject to change without notice.

Development, Manufacturing and Distribution



11/2011

TEM Messtechnik GmbH
Grosser Hillen 38
30559 Hannover
Germany

tel. +49-511-51089630
fax +49-511-51089638
info@tem-messtechnik.de

www.tem-messtechnik.de