

Worldwide Distributors

Baltic, Nordic

Von Gegerfelt Photonics

Tel.: +49-6251 860 99 20
Fax: +49-6251 860 99 17
dvg@vgphotonics.eu
www.vgphotonics.eu

Italy

LOT-Oriel Italia

Tel.: +39-02 26 82 21 04
Fax: +39-02 26 82 50 07
info@lot-oriel.it
www.lot-oriel.it

Singapore/Malaysia

PhotonTech Pte Ltd

Tel.: +65-65 70 33 86
Fax: +65-62 33 91 71
csales@photonitech.com
www.photonitech.com

Benelux

Applied Laser Technology (ALT)

Tel.: +31-499 37 53 75
Fax: +31-499 37 53 73
info@alt.nl
www.alt.nl

Japan

Japan Laser Corp.

Tel.: +81-352 85 08 61
Fax: +81-352 85 08 60
lase@japanlaser.jp
www.japanlaser.jp

Taiwan

Tayhwa Technology Co. Ltd.

Tel.: +88-62 23 56 97 37
Fax: +88-62 23 56 96 59
tayhwa@tayhwa.com.tw
www.tayhwa.com.tw

China

Pinnacle Scientific Corporation

Tel.: +86-571 88 22 51 51
Fax: +86-571 88 22 52 52
sales@psci.cn
www.psci.cn

Korea

DongWoo Optron Co., Ltd.

Tel.: +82-317 65 03 00
Fax: +82-317 65 02 22
optron@optron.co.kr
www.optron.co.kr

Turkey

Mitra Anonim Sirketi

Tel.: +90-212 347 47 40
Fax: +90-212 347 47 45
info@mitralaser.com
www.mitralaser.com

France

Photon Lines

Tel.: +33-130 08 99 00
Fax: +33-130 08 99 09
info@photonlines.com
www.photonlines.fr

Poland

Amecam

Tel.: +48-22 207 22 78
Fax: +48-22 207 28 77
amecam@amecam.pl
www.amecam.pl

UK

Photon Lines Ltd.

Tel.: +44-12 95 72 42 25
Fax: +44-12 95 72 42 26
info-uk@photonlines.com
www.photonlines

For Life Science Applications

Germany, Austria, Switzerland,
Scandinavia

Von Gegerfelt Photonics

Tel.: +49-6251 860 99 20
Fax: +49-6251 860 99 17
dvg@vgphotonics.eu
www.vgphotonics.eu

Israel

Militram

Tel.: +97-299 58 18 60
Fax: +97-299 57 43 83
militram@militram.com
www.militram.com

Spain

LASER Technology S.L.

Tel.: +34-937 50 01 21
Fax: +34-937 50 03 23
josecochon@laser-technology.com
www.laser-technology.com

USA

Market Tech, Inc.

Tel.: +1-83 14 61 11 01
Fax: +1-83 14 61 11 36
info@markettechinc.net
www.markettechinc.net



Omicron-Laserage Laserprodukte GmbH
Raiffeisenstrasse 5e
63110 Rodgau, Germany
Tel.: +49-61 06 82 24-0
Fax: +49-61 06 82 24-10
mail@omicron-laser.de
www.omicron-laser.de



Compact CW diode lasers

Small and compact design

21 different wavelengths
between 375nm and 830nm

Single-Mode optical
output power up to 300mW

TEC temperature-stabilized
and conductively cooled
through baseplate

High-Stability CW operation

Fast electronic shutter

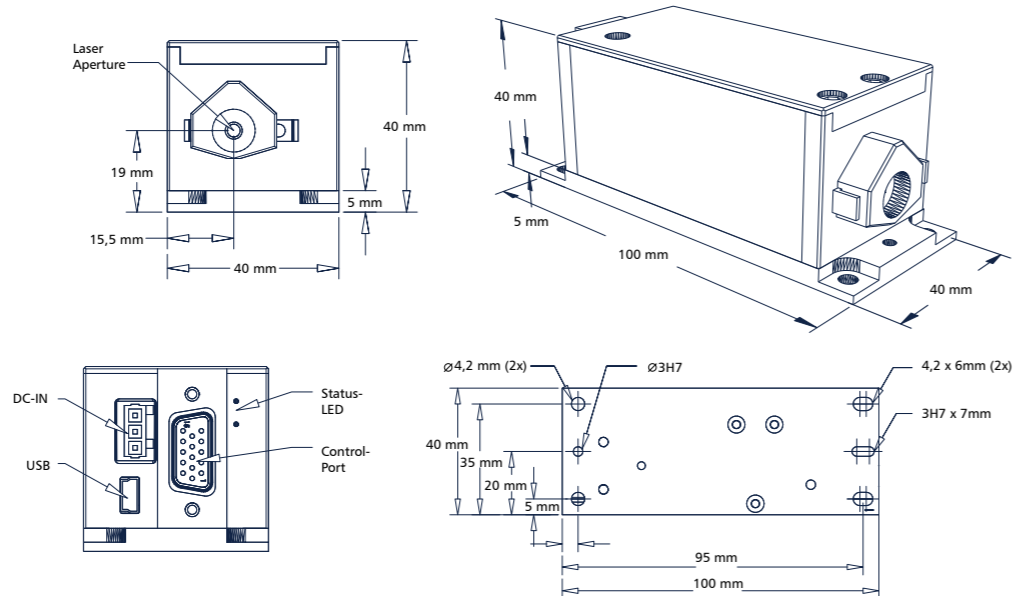


The Omicron LuxX[®] Laser Series offers high-performance at a compact design. A broad variety of wavelengths and single mode emission up to 300mW cover a wide range of applications. Easy integration into existing or future designs is assured by versatile input signal types. The USB2.0 and the RS-232 interface allow deep integration of the lasers into the applications process.

LUX dimensions

Applications:

- Flow Cytometry
- Confocal Microscopy
- Test and Measurement
- Machine Vision
-



LUX Laser Series Specification Table

Model	LuxX [®] 375 - 20/70	LuxX [®] 395	LuxX [®] 405 - 60 / 120 / 300	LuxX [®] 415	LuxX [®] 425	LuxX [®] 445	LuxX [®] 457	LuxX [®] 460	LuxX [®] 473	LuxX [®] 488	LuxX [®] 515 - 20 / 80 / 100	LuxX [®] 638 - 20 / 60 / 80 / 100 / 150 / 200	LuxX [®] 515 - 25 / 50 / 80	LuxX [®] 638 - 40 / 100 / 150	LuxX [®] 642	LuxX [®] 647	LuxX [®] 660	LuxX [®] 685	LuxX [®] 705	LuxX [®] 730	LuxX [®] 785	LuxX [®] 808	LuxX [®] 830
Wavelength (+/- 5nm)	375nm	395nm	405nm	415nm	425nm	445nm	457nm	460nm	473nm	488nm	515nm	638nm	642nm	647nm	660nm	685nm	705nm	730nm	785nm	808nm	830nm		
Optical output power	20mW 70mW	120mW	60mW 120mW 300mW	120mW	120mW	50mW 100mW	100mW	100mW	20mW 80mW 100mW	20mW 60mW 80mW 100mW 150mW 200mW	25mW 50mW 80mW	40mW 100mW 150mW	140mW	140mW	130mW	50mW	40mW	40mW	120mW	140mW	140mW	140mW	
Typical beam diameter (1/e ²)	1.0...1.5mm (1/e ²), (depends on wavelength) - 0.7mm (1/e ²) +/- 0.1mm with option XX.DSO																						
Beam quality M2	< 1.2																						
Beam ellipticity	< 1.2:1																						
Beam pointing stability (rad/°C)	< 5																						
Polarisation ratio	> 100:1 vertical																						
Warm up time	< 3 minutes																						
Operation modes	Mode 1 CW Operation - constant current (ACC) Mode 2 CW Operation - constant power (APC) Mode 3 Analogue Modulation (digital modulation with option LUXX.D2A)																						
Analogue modulation																							
Modulation bandwidth	> 1.5MHz																						
Signal type	0...5V (1.2kOhm)																						
Laser enable input																							
Modulation bandwidth	> 150kHz (complete ON/OFF)																						
Signal type	TTL (2 kOhm)																						
RMS noise characteristics																							
20Hz ... 10MHz	< 0.2%																						
10MHz ... 500MHz	< 0.2%																						
Long-term power stability (8h)	< 0.5%																						
Electrical properties																							
Laser operating voltage	5.00 VDC +/- 0.50V																						
Computer interface																							
Type	RS-232 and USB2.0																						
Mechanical properties																							
Dimensions laser head	100 x 40 x 40 mm (l x w x h)																						