

HNx High Peak Power Amplified Microchip Series

Key features

- ▶ 1064nm and 532nm
- ▶ Ultra-short pulses down to 550ps@50kHz
- ▶ Peak power over 100kW
- ▶ Excellent beam quality – TEM00, $M^2 < 1.1$
- ▶ Efficient, air-cooled
- ▶ Sealed package, extremely long life



The PicoSpark™ series combines multi-watt output level with high repetition rate and exceptional pulse characteristics to provide the best price/quality ratio for micromachining application.

Passively Q-Switched (PQS) microchip laser technology and fiber amplification are brought together, delivering pulses with hundreds of kilowatt peak power and hundreds of gigawatt per square centimeter power density in a sealed and air-cooled compact package.

This Master Oscillator Fiber Amplifier (MOFA) architecture notably offers a full control over the pulse energy (or peak power) while leaving unchanged the pulse width and pulse shape.

Applications

- ▶ Micromachining
 - Selective ablation of μm to nm scale layers
 - Edge isolation
 - Cutting from PCB to PCD with no heat effect
- ▶ Instrumentation
 - Laser Induced Breakdown Spectroscopy
 - Raman spectroscopy
 - Supercontinuum generation
 - Ranging
 - Differential absorption LIDAR
- ▶ Biophotonics
 - Dense tissue ablation
 - Tattoo removal
 - Micro-surgery

For your application, find your pulsed laser solution

teem photonics™

Technical specifications:

	HNP-50F-100⁽⁶⁾	HNG-50F-100⁽⁶⁾
Wavelength	1064nm	532nm
Repetition Rate	>45kHz	>45kHz
Constant Pulse width range (FWHM)⁽¹⁾	<0.75ns	<0.65ns
Output power⁽²⁾	>5W	>3W
Output energy	>100μJ	>60μJ
Peak Power	>130kW	>100kW
Short term(10min) power stability⁽³⁾	<±2%	<±2%
Long term (6 hrs) power stability⁽³⁾	<±5%	<±5%
Beam profile	Gaussian TEM00	Gaussian TEM00
Beam diameter at output	3mm±0.5mm	0.65mm±0.2mm
Full angle divergence @1/e²		
Horizontal	<2 mrad	3±1 mrad
Vertical	<2 mrad	3±1 mrad
M²⁽⁴⁾	<1.2	<1.2
Beam ellipticity⁽⁵⁾	<1.20	<1.22
Polarization	Linear PER>20dB	Linear PER>20dB
Energy control function	RS232, Analog 0-5V	RS232, Analog 0-5V
Gating function	TTL 0-5V	TTL 0-5V
Options included	S	S

Notes

- (1)** Measured with 1Ghz photodiode and 1GHz/10GS/s oscilloscope.
- (2)** Measurement performed with an OPHIR thermal power sensor (OPHIR 3A-FS-SH)
- (3)** For temperature variation < ± 3°C and < 3°C/hour, stability is measured with calorimeter - detector band [DC, 2Hz]
- (4)** Mean average value $M = \sqrt{XY}$, X and Y being respectively the major and minor axis of the ellipse
- (5)** Beam ellipticity is calculated as the ratio of the main axis far field divergence
- (6)** Contact factory for availability

All information contained herein is believed to be accurate and is subject to change without notice. Teem Photonics may not be held liable for its use. Teem Photonics, its subsidiaries and affiliates, reserve the right to modify or withdraw, at any time and without any notice, specifications, product design, product component. Some options may not be available for all products. Please contact Teem Photonics for details. November 13

For your application, find your pulsed laser solution

teem photonics™

Complementary information & options:

Environment Parameters

Operating Temperature Range	15-30°C
Maximum Power Consumption	<600W
Storage Temperature	0-50°C
Shock of 11ms according to IEC 68-2-27, non operating	25g
Vibration 5Hz to 500Hz sinusoidal according to IEC 68-2-6	2g

Certification

Laser classification according to IEC 60825-1:2007	4
CDRH compliance	Yes
ROHs	Yes

Package

Laser Head dimensions, LxWxH⁽⁷⁾	429x250x120mm
Laser Head weight	9kgs
Cable length between head and controller	2m
Controller dimensions, LxWxH	483x390x88mm
Controller weight	10kgs

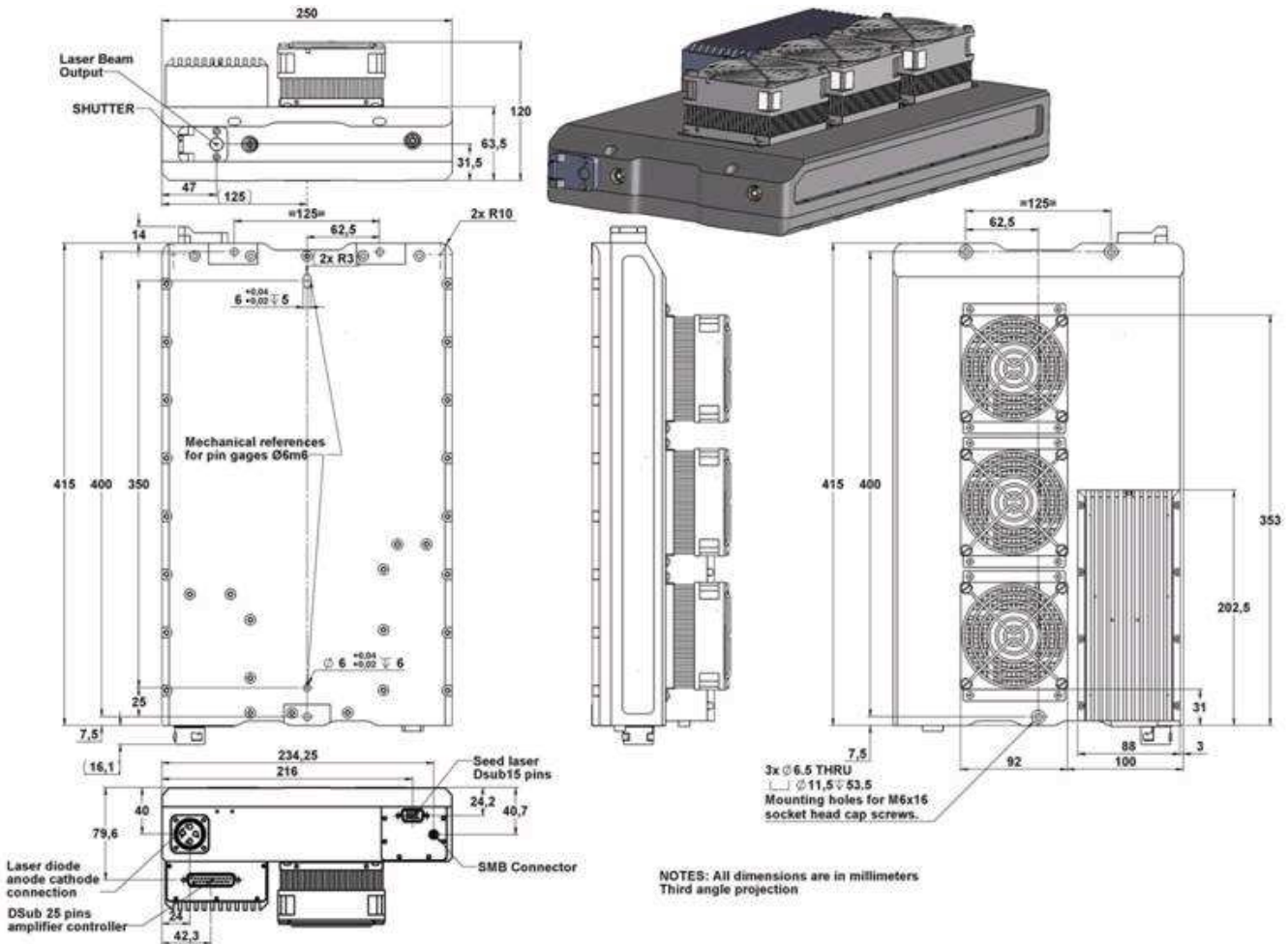
Options

Synchronization output (S)	TTL compatible output signal for synchronization/monitoring
-----------------------------------	---

For your application, find your pulsed laser solution

teem photonics™

CDRH Laser Head Mechanical Drawings



For your application, find your pulsed laser solution

teem photonics™

CDRH Controller Mechanical Drawings

