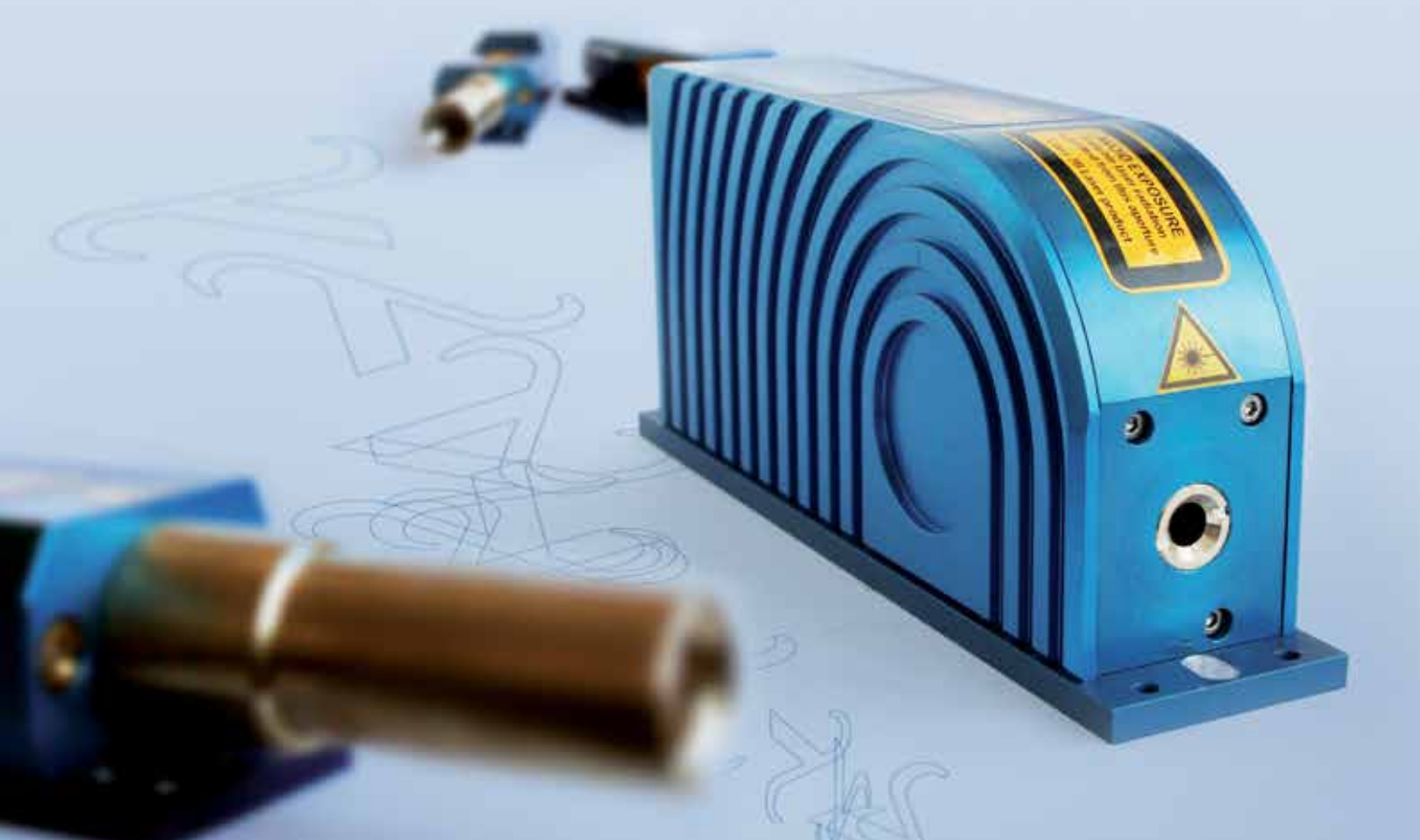


# LDM Series Highpower Multiline



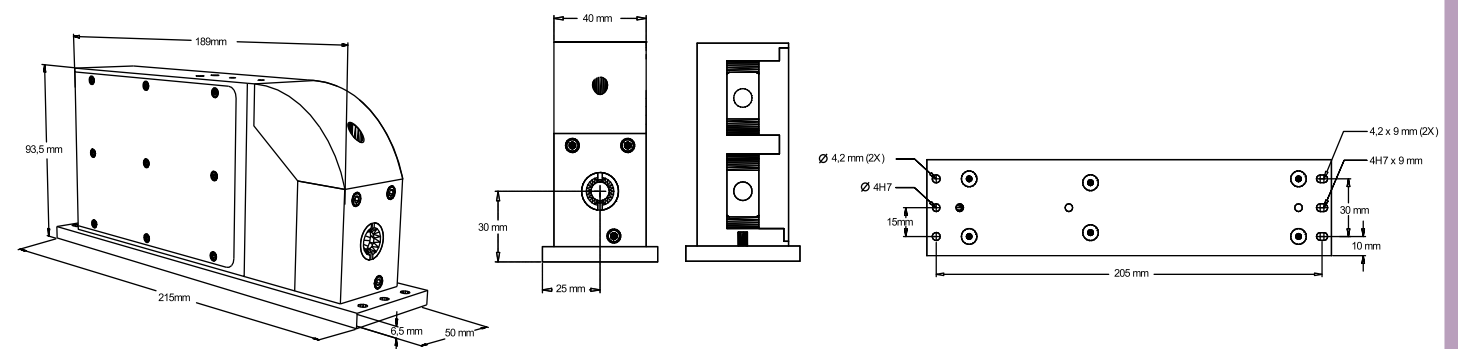
LDM □□□□ D . □□□□ . □□□□ □□  
 Wavelength in nm    Power in mW    Laser model

**Dual Diode - High power laser diode module integrating two laser diodes for double output power**

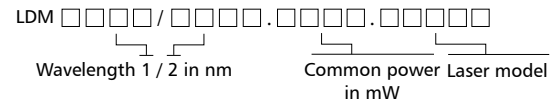
Available laser models: CWA, CWA.L, 150 / 500, TA Deepstar®, DC180, PS350, A350

	<b>Blue- /Greenphoton® Dual Diode</b>	<b>Redphoton® Dual Diode</b>
Wavelengths & Powers (other wavelengths and powers on request)	<b>Single-Mode (SM):</b> 375nm / 140mW 395nm / 240mW 405nm / 600mW 415nm / 240mW 425nm / 240mW 445nm / 200mW 457nm / 200mW 460nm / 200mW 473nm / 200mW 488nm / 300mW, 400mW 515nm / 100mW, 160mW <b>Multi-Mode (MM):</b> 375nm / 400mW (M <sup>2</sup> < 6) 405nm / 1200mW (M <sup>2</sup> < 6) 445nm / 1000mW (M <sup>2</sup> < 3) 445nm / 2400mW (M <sup>2</sup> < 6)	<b>Single-Mode (SM):</b> 635nm / 10mW 637nm / 300mW 643nm / 300mW 647nm / 300mW 658nm / 250mW 670nm / 30mW 685nm / 70mW 785nm / 240mW 808nm / 400mW 830nm / 400mW 852nm / 300mW 980nm / 300mW 1016nm / 200mW 1060nm / 200mW <b>Multi-Mode (MM):</b> 638nm / 500mW
Beam diameter (other diameters on request)	1.25mm (1/e <sup>2</sup> ) +/- 0.25mm (MM beam diameter may vary)	1.25mm (1/e <sup>2</sup> ) +/- 0.25mm (MM beam diameter may vary)
Beam quality M <sup>2</sup>	<1.2 (SM) <6 (MM)	<1.2 (SM) <6 (MM)
Astigmatism (corrected)	<0.2*ZR	<0.2*ZR
Beam ellipticity	<1.1:1 (SM)	<1.1:1 (SM)
Polarisation	cross-polarised 100:100	cross-polarised 100:100
Features	Safety interlock RS-232 Interface	
Options	LDM.COL - collimator objective LDM.FOC - customized focussing objective LDM.FASY:XXX - fibre coupling unit LDM.24VPSU - worldwide power supply unit	

Dual Diode Laser head



Note: Laserhead dimensions may vary

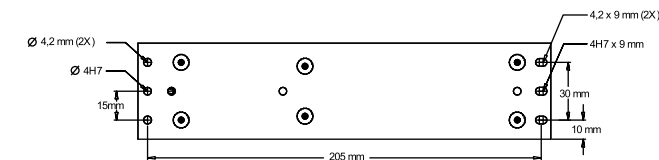
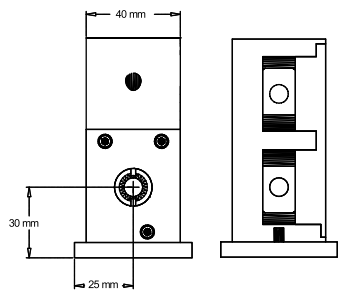
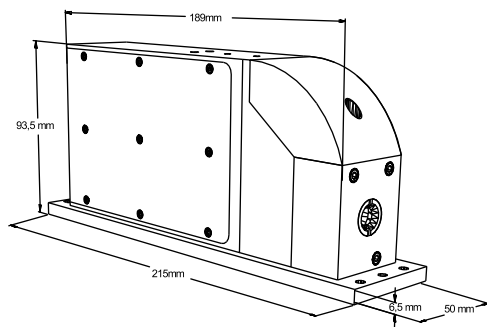


### Dual Wavelength - Laser diode modules with two wavelengths in a co-linear laser beam

Available laser models: CWA, CWA.L, 150 / 500, TA Deepstar®, DC180, PS350, A350 (two different models possible)

The systems can be equipped with any two diodes

#### Dual Wavelength Laser head



Note: Laserhead dimensions may vary

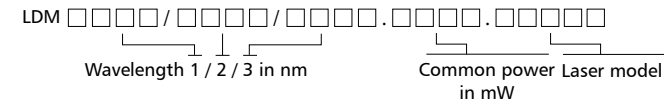
Wavelengths & Powers (other wavelengths and powers on request)

#### Dual Wavelength

- Single-Mode (SM):  
 375nm / 20mW, 70mW  
 395nm / 120mW  
 405nm / 55mW, 120mW, 300mW  
 415nm / 120mW  
 425nm / 120mW  
 445nm / 50mW, 100mW  
 457nm / 100mW  
 460nm / 100mW  
 473nm / 20mW, 80mW, 100mW  
 488nm / 20mW, 60mW, 80mW  
 100mW, 150mW, 200mW  
 515nm / 25mW, 50mW, 80mW  
 635nm / 5mW  
 637nm / 150mW  
 639nm / 40mW  
 639nm / 100mW  
 643nm / 150mW  
 647nm / 150mW  
 658nm / 130mW  
 670nm / 15mW  
 685nm / 35mW  
 785nm / 120mW  
 808nm / 200mW  
 830nm / 200mW  
 852nm / 150mW  
 980nm / 150mW  
 1016nm / 100mW  
 1060nm / 100mW

- Multi-Mode:  
 375nm / 200mW (M<sup>2</sup> <6)  
 405nm / 400mW (M<sup>2</sup> <6)  
 445nm / 500mW (M<sup>2</sup> <3)  
 638nm / 250mW (M<sup>2</sup> <6)

- Beam diameter (other diameters on request) 1.25mm (1/e<sup>2</sup>) +/- 0.25mm (MM beam diameter may vary)
- Beam quality M<sup>2</sup> <1.2 (SM) <6 (MM)
- Astigmatism (corrected) <0.2\*ZR
- Beam ellipticity <1.1:1 (SM)
- Polarisation >100:1 vertical
- Features Safety interlock RS-232 Interface
- Options LDM.COL - collimator objective LDM.FOC - customized focussing objective LDM.FASY:XXX - fibre coupling unit LDM.24VPSU - worldwide power supply unit



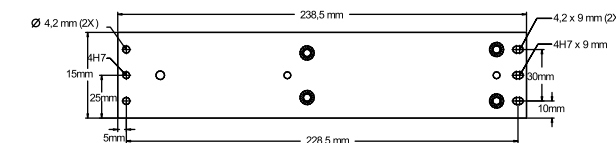
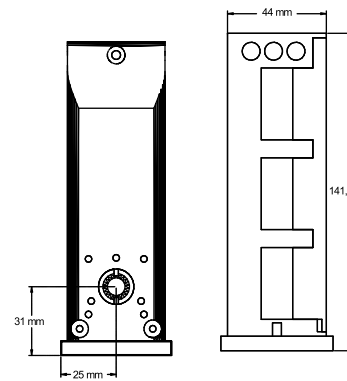
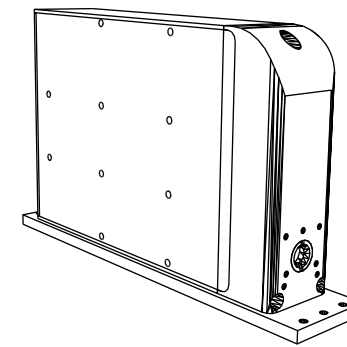
### Triple Wavelength - Laser diode modules with three wavelengths in a co-linear laser beam

Available laser models: CWA, CWA.L, 150 / 500, TA Deepstar®, DC180, PS350, A350 (two different models possible)

The systems can be equipped with any three diodes

For further multi-wavelength solutions see our laser light engines SOLE and LightHUB on page 30

#### Triple Wavelength Laser head



Wavelengths & Powers (other wavelengths and powers on request)

#### Triple Wavelength

- Single-Mode (SM):  
 375nm / 20mW, 70mW  
 395nm / 120mW  
 405nm / 55mW, 120mW, 300mW  
 415nm / 120mW  
 425nm / 120mW  
 445nm / 50mW, 100mW  
 457nm / 100mW  
 460nm / 100mW  
 473nm / 20mW, 80mW, 100mW  
 488nm / 20mW, 60mW, 80mW  
 100mW, 150mW  
 515nm / 25mW, 50mW, 80mW  
 635nm / 5mW  
 637nm / 150mW  
 639nm / 40mW  
 639nm / 100mW  
 643nm / 150mW  
 647nm / 150mW  
 658nm / 130mW  
 670nm / 15mW  
 685nm / 35mW  
 785nm / 120mW  
 808nm / 200mW  
 830nm / 200mW  
 852nm / 150mW  
 980nm / 150mW  
 1016nm / 100mW  
 1060nm / 100mW
- Multi-Mode:  
 375nm / 200mW (M<sup>2</sup> <6)  
 405nm / 400mW (M<sup>2</sup> <6)  
 445nm / 500mW (M<sup>2</sup> <3)  
 638nm / 250mW (M<sup>2</sup> <6)

- Beam diameter (other diameters on request) 1.25mm (1/e<sup>2</sup>) +/- 0.25mm (MM beam diameter may vary)
- Beam quality M<sup>2</sup> <1.2 (SM) <6 (MM)
- Astigmatism (corrected) <0.2\*ZR
- Beam ellipticity <1.1:1 (SM)
- Polarisation >100:1 vertical
- Features Safety interlock RS-232 Interface
- Options LDM.COL - collimator objective LDM.FOC - customized focussing objective LDM.FASY:XXX - fibre coupling unit LDM.AAC - Automatic Aging Compensation LDM.24VPSU - worldwide power supply unit