

LASOS

For worldwide photonics

LASOS[®] He-Ne laser series



Helium-Neon laser modules
Helium-Neon laser tubes
Helium-Neon laser power supplies



He-Ne laser modules

LASOS® He-Ne laser series

The LASOS Helium Neon laser tubes and modules have a robust mechanical design, excellent beam quality and long service life of up to 30,000 hours. Standard and customized models are available in a large variety in the spectral range red, green and yellow with output powers between 0.5 and 20 mW. Options are single mode or multi-mode, randomly or linearly polarized and Brewster window tubes for educational and scientific purposes.

All laser models can be provided with adequate OEM and laboratory power supplies, meeting the European and American standards with the availability of approvals and certificates CDRH, IEC, CSA, CE, TÜV, UL.

The Helium Neon lasers are designed for multipurpose applications such as confocal laser scanning micros-copy, spectroscopy, digital imaging, metrology, industrial measurements, positioning, alignment, aiming, testing, code scanning, medical, basic research, education or entertainment.

Customized solutions for specific applications can be provided.

- Designed for long life, low noise and high stability

- Excellent beam quality and pointing stability

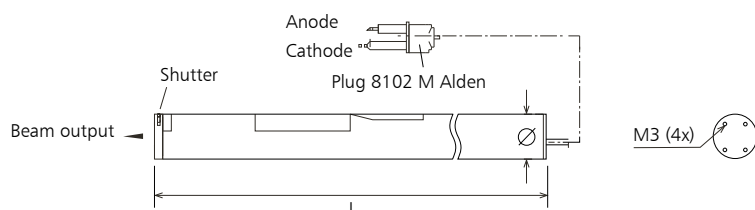
Options:

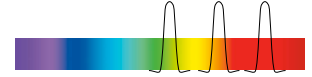
- OEM power supplies
- Laboratory power supplies
- Fiber coupling
- He-Ne tubes with Brewster windows for educational purposes
- Customized modifications

Model	λ [nm]	P [mW] TEM ⁰⁰		Beam Diameter [mm]	Operating Voltage [V]	Operating Current [mA]	Dimension \varnothing x L [mm]
▶	632.8	0.5		0.34	1050	2.8	
▶ LGK 7650-2	632.8	0.5	polarized	0.49	1300	3.5	35 x 170
▶ LGK 7655	632.8	0.6		0.49	1300	3.5	35 x 170
▶ LGK 7655 S	632.8	1		0.49	1300	3.5	35 x 170
▶ LGK 7608	632.8	1.5		0.63	1700	4.9	31.7 x 241.3
▶ LGK 7610	632.8	2		0.63	1700	4.9	31.7 x 241.3
▶ LGK 7610 H*1	632.8	2		0.63	1700	4.9	31.7 x 241.3
▶ LGK 7672	632.8	2		0.75	1300	5.0	35 x 280
▶ LGK 7634	632.8	2	polarized	0.75	1500	5.0	35 x 280
▶ LGK 7627-8	632.8	5		0.8	2400	6.5	45 x 388
▶ LGK 7628	632.8	5	polarized	0.8	2400	6.5	45 x 400
▶ LGK 7621 MM	632.8	5	multimode	1.4	1650	6.5	35 x 280
▶ LGK 7627 MM	632.8	10	multimode	0.7	3000	6.5	45 x 400
▶ LGK 7653-8	632.8	10		0.7	3000	6.5	45 x 505
▶ LGK 7654-8	632.8	10	polarized	0.7	3000	6.5	45 x 505
▶ LGK 7654-13	632.8	10	polarized	0.7	3000	6.5	44.25 x 490
▶ LGK 7665	632.8	15		1.0	3700	7.0	45 x 637
▶ LGK 7665 P	632.8	15	polarized	1.0	3700	7.0	45 x 637
▶ LGK 7665-18	632.8	18		1.0	3700	7.0	45 x 637
▶ LGK 7665 P18	632.8	18	polarized	1.0	3700	7.0	45 x 637
▶ LGK 7665-20	632.8	20		1.0	3700	7.0	45 x 637
▶ LGK 7512 P	594	2	polarized	0.79	2400	6.5	45 x 537
▶ LGK 7786 P50	543	0.5	polarized	0.85	2400	6.5	45 x 485
▶ LGK 7786 P75	543	0,75	polarized	0.85	2400	6.5	45 x 485
▶ LGK 7786 P100	543	1	polarized	0.85	2400	6.5	45 x 485
▶ LGK 7785-100	543	1		0.88	2800	6.5	45 x 537
▶ LGK 7785-150	543	1.5		0.88	2800	6.5	45 x 537
▶ LGK 7785-200	543	2		0.88	2800	6.5	45 x 537
▶ LGK 7785-250*2	543	1.5		0.88	2800	6.5	45 x 537

*1 With heater, *2 On request

All models availability and technical modifications reserved.



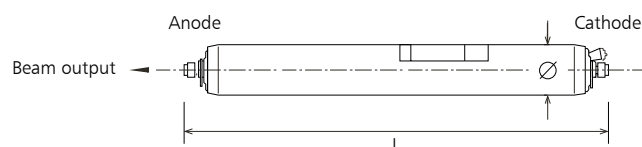


He-Ne laser tubes

Model	Dimension Ø x L [mm]	Power Supply			
LGR 7656* ¹	22.5 x 118.6	LGN 7466 A	LGN 7464		
LGR 7650* ¹	25.25 x 146	LGN 7467 A	LGN 7465	SAN 7467 A	SAN 7467 AJ
LGR 7655	25.25 x 146	LGN 7467 A	LGN 7465	SAN 7467 A	SAN 7467 AJ
LGR 7655 S	25.25 x 146	LGN 7467 A	LGN 7465	SAN 7467 A	SAN 7467 AJ
LGR 7608	22.6 x 213.3	LGN 7461 A	LGN 7463	SAN 7461 A	SAN 7461 AJ
LGR 7610	22.6 x 213.3	LGN 7461 A	LGN 7463	SAN 7461 A	SAN 7461 AJ
LGR 7610 H* ²	30 x 255	LGN 7461 A	LGN 7463	SAN 7461 A	SAN 7461 AJ
LGR 7621 S	30 x 255	LGN 7461 A	LGN 7463	SAN 7461 A	SAN 7461 AJ
LGR 7634	30 x 255	LGN 7461 A	LGN 7463	SAN 7461 A	SAN 7461 AJ
LGR 7627* ³	36.5 x 350	LGN 7460 A	LGN 7462	SAN 7460 A	SAN 7460 AJ
LGR 7628	36.5 x 350	LGN 7460 A	LGN 7462	SAN 7460 A	SAN 7460 AJ
LGR 7621 MM	30 x 255	LGN 7460 A1	SAN 7460 A1		
LGR 7627 MM	36.5 x 350	LGN 7460 A	LGN 7462	SAN 7460 A	SAN 7460 AJ
		LGN 7470 A4	SAN 7470 A4	SAN 7470 A4J	
		LGN 7470 A4	SAN 7470 A4	SAN 7470 A4J	
		LGN 7470 A3	SAN 7470 A3	SAN 7470 A3J	
		LGN 7470 A	SAN 7470 A	SAN7470 AJ	
		LGN 7470 A	SAN 7470 A	SAN 7470 AJ	
		LGN7470 A	SAN 7470 A	SAN 7470 AJ	
		LGN 7470 A	SAN 7470 A	SAN 7470 AJ	
		LGN 7470 A	SAN 7470 A	SAN 7470 AJ	
		LGN 7460 A	LGN 7462	SAN 7460 A	SAN 7460 AJ
		LGN 7460 A	LGN 7462	SAN 7460 A	SAN 7460 AJ
		LGN 7460 A	LGN 7462	SAN 7460 A	SAN 7460 AJ
		LGN 7460 A	LGN 7462	SAN 7460 A	SAN 7460 AJ
		LGN 7470 A4	SAN 7470 A4	SAN 7470 A4J	
		LGN 7470 A4	SAN 7470 A4	SAN 7470 A4J	
		LGN 7470 A4	SAN 7470 A4	SAN 7470 A4J	
		LGN 7470 A4	SAN 7470 A4	SAN 7470 A4J	

*¹ Output at cathode side, *² With heater, *³ Available with Brewster window termination
 *More power supplies available see page "Additional OEM power supplies"

Availability and technical modifications reserved.

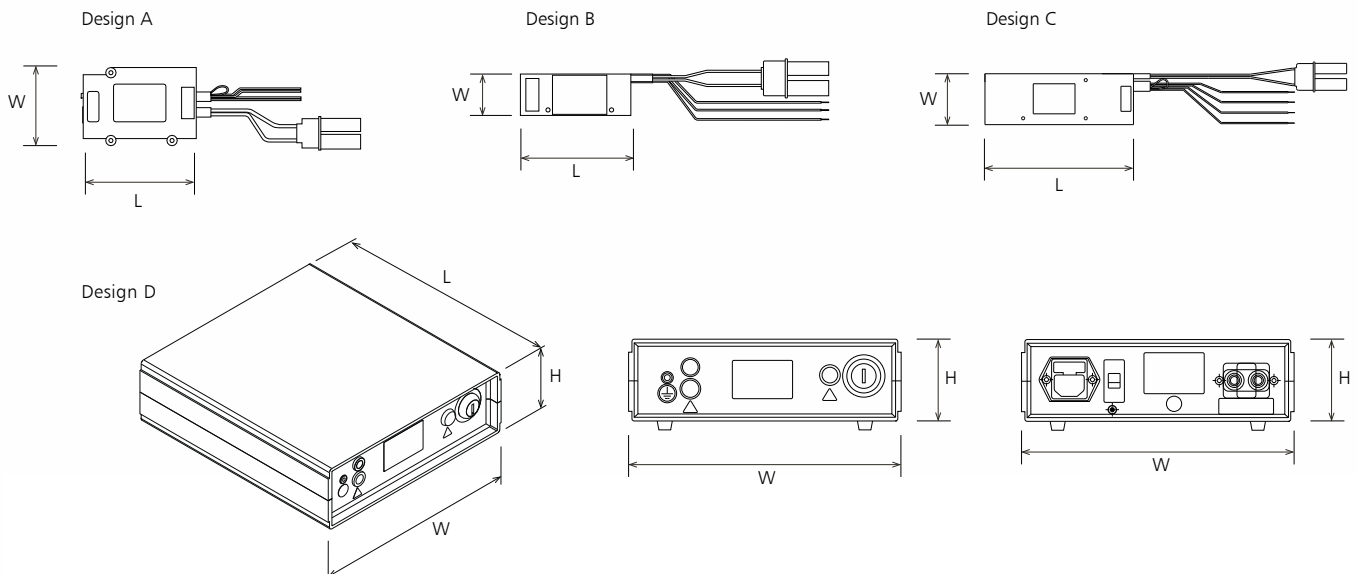




He-Ne laser power supplies

Model	Input [VDC]	Output [kVDC]	Operating Current [mA]	Dimension L x W x H [mm]	Design	
LGN 7462	12	2.2-2.5	6.5	101.6 x 38.1 x 25.4	B	DC input
LGN 7463	12	1.25-1.75	5	101.6 x 38.1 x 25.4	B	
LGN 7465	12	1.2-1.6	3.5	95.25 x 38.1 x 25.4	B	
LGN 7460 A	115/230	2.2-2.6	6.5	107.95 x 76.2 x 30.48	A	
LGN 7460 A1	115/230	1.5-2.1	6.5	107.95 x 76.2 x 30.48	A	
LGN 7461 A	115/230	1.25-1.75	5	107.95 x 76.2 x 30.48	A	
LGN 7466 A	115/230	1.0-1.6	2.8	107.95 x 76.2 x 30.48	A	
LGN 7467 A	115/230	1.2-1.7	3.5	107.95 x 76.2 x 30.48	A	AC input
LGN 7470 A	115/230	3.5	7	177.8 x 60.96 x 35.56	C	
LGN 7470 A4	115/230	2.5-3.1	6.5	177.8 x 60.96 x 35.56	C	
SAN 7460 A	115/230	2.2-2.6	6.5	231x 212 x 70	D	
SAN 7460 A1	115/230	1.5-2.1	6.5	231x 212 x 70	D	
SAN 7461 A	115/230	1.25-1.75	5	231x 212 x 70	D	
SAN 7467 A	115/230	1.2-1.7	3.5	231x 212 x 70	D	
SAN 7470 A	115/230	3.5	7	231x 212 x 70	D	
SAN 7470 A4	115/230	2.5-3.1	6.5	231x 212 x 70	D	
SAN 7460 AJ	100	2.2-2.6	6.5	231x 212 x 70	D	
SAN 7461 AJ	100	1.25-1.75	5	231x 212 x 70	D	
SAN 7467 AJ	100	1.2-1.7	3.5	231x 212 x 70	D	
SAN 7470 AJ	100	3.1-3.7	7	231x 212 x 70	D	
SAN 7460 A4J	100	2.5-3.1	7	231x 212 x 70	D	

Availability and technical modifications reserved.





Additional OEM power supplies

Model	Input Voltage [V]	Operating Voltage Range [V]	Operating Current Range [mA]	Dimension L x W x H [mm]	Design	Options ²⁾	
101 T	12 or 24	1100-1500	3.0-4.5	95.25 x 38.1 x 25.4	B	DC input - TTL input On/Off - CDRH time delay - High-voltage plug (Alden) - Flying leads	
	12 or 24	1500-1800	4.0-5.5	95.25 x 38.1 x 25.4	B		
	12 or 24	1850-2450	6.0-6.5	95.25 x 38.1 x 25.4	B		
106 T	5 or 12	1100-1400	3.35-3.5	81.28 x 33.02 x 21.59	B		
	5 or 12	1400-1800	4.0-5.0	81.28 x 33.02 x 21.59	B		
121 T ¹⁾	12 or 24	1100-1500	3.0-4.5	130.18 x 38.1 x 28.58	B		
	12 or 24	1500-1800	4.0-5.5	130.18 x 38.1 x 28.58	B		
	12 or 24	1850-2450	6.0-6.5	130.18 x 38.1 x 28.58	B		
180 T	12 or 24	2500-3000	6.0-7.0	107.95 x 76.2 x 30.48	A		
314 T	115 / 230, 100 / 200	1100-1500	3.0-4.5	107.95 x 76.2 x 30.48	A		AC input - CDRH time delay - High-voltage plug (Alden) - Flying leads
	115 / 230, 100 / 200	1500-1800	4.0-5.5	107.95 x 76.2 x 30.48	A		
	115 / 230, 100 / 200	1850-2450	6.0-6.5	107.95 x 76.2 x 30.48	A		
	115 / 230, 100 / 200	2500-2800	6.8-7.2	107.95 x 76.2 x 30.48	A		
324 T	115 / 230, 100 / 200	1100-1500	3.0-4.5	153.67 x 39.37 x 28.58	D		
	115 / 230, 100 / 200	1500-1800	4.0-5.5	153.67 x 39.37 x 28.58	D		
	115 / 230, 100 / 200	1850-2450	6.0-6.5	153.67 x 39.37 x 28.58	D		
	115 / 230, 100 / 200	2500-2800	6.8-7.2	153.67 x 39.37 x 28.58	D		
380 T	115 / 230, 100 / 200	2500-4100	3.0-4.5	177.8 x 60.96 x 35.56	C		
	115 / 230, 100 / 200	3700-4500	8.0-10.0	177.8 x 60.96 x 35.56	C		

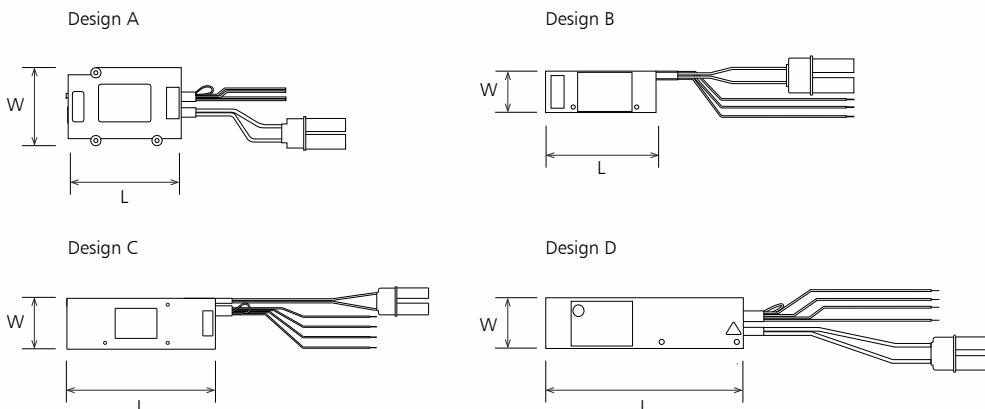
¹⁾ Low noise version, ²⁾ More options available on request

All models availability and technical modifications reserved.

Model key for orders and enquiries:

Model - Voltage - Current - Options (example: 101T-1200-3.0-4)
options: 1 flying leads, 4 Alden connector, others please specify

Schematic drawings



For orientation only, detailed drawings available on request.

LASOS

For worldwide photonics

LASOS Lasertechnik GmbH
Carl-Zeiss-Promenade 10, 07745 Jena
Germany

Phone: +49 (0) 36 41 - 29 44 - 0
Fax: +49 (0) 36 41 - 29 44 - 17
info@lasos.com

www.lasos.com

Europe

Benelux

Te Lintelo Systems BV
Phone: +31 316 340804
Fax: +31 316 340805
sales@tlsbv.nl
www.tlsbv.nl

Czech / Slovakia Republic

LAO industrial systems, s.r.o.
Phone: +42 241 046800
Fax: +42 241 046850
klecka@lao.cz
www.lao.cz

France

BFI OPTILAS S.A.S.
Phone: +33 1 60795906
Fax: +33 1 60798901
photonique.fr@bfioptilas.com
www.bfioptilas.fr

Spain

Dachs Elektronika S.A.
Phone: +34 93 7418508
Phone: +34 93 7418509
adachs@dachs.es
www.dachs.es

Sweden / Norway /

Denmark / Finland

Optonyx AB
Phone: +46 855 111410
Fax: +46 855 111415
info@optonyx.com
www.optonyx.com

Italy

Laser Optronik S.p.A.
Phone: +39 2 574651
Fax: +39 2 57410127
lop@laseroptronic.it
www.laseroptronic.it

Crisel Instruments S.R.L.
Phone: +39 6 35402933
Fax: +39 6 35402879
penco@crisel-instruments.it
www.crisel-instruments.it

United Kingdom / Ireland

Lambda Photometrics Limited
Phone: +44 1582 764334
Fax: +44 1582 712084
wing@lambdaphoto.co.uk
www.lambdaphoto.co.uk

America

USA / Canada / Mexico

Market Tech, Inc.
Phone: +1 800 3265714
Fax: +1 831 4611136
info@markettechinc.net
www.markettechinc.net

Asia

China / Hongkong

Universal Technology Co., Ltd.
Phone: +86 10 85283377
Fax: +86 10 85282766
oe@universalkhco.com.cn

India

Thomas Kirchner Co.
Phone: +49 3641 622810
Fax: +49 3641 622840
thomask@somt-solutions.com

Japan

Autex, Inc.
Phone: +81 3 32266321
Fax: +81 3 32266290
sales32@autex-inc.co.jp
www.autex-inc.co.jp

Japan Laser Corporation
Phone: +81 3 52850861
Fax: +81 3 52850860
jlc@japanlaser.co.jp
www.japanlaser.co.jp

Korea

DongWoo Optron Co., Ltd.
Phone: +82 31 7650300
Fax: +82 31 7650222
optron@optron.co.kr
www.optron.co.kr

Taiwan

Tayhwa Technology Co., Ltd.
Phone: +886 2 23569737
Fax: +886 2 23569659
tayhwa@tayhwa.com.tw
www.tayhwa.com.tw