

SOLID STATE LASER MODULES

Laser Diode Modules with Single Mode Fiber Coupling



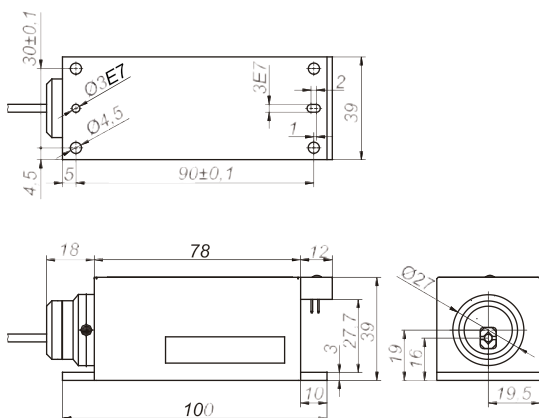
	VLK F series		BLK F series		RLK F series	
Wavelength [nm]	405	445	473	488	643	660
Minimum output power from fiber [mW]	40	15	5	20	60	40

- ▶ VLK F, BLK F and RLK F series are equipped with a pigtail style fiber coupling. Its robust design ensures long term stability of the output parameters. Various options for the output connector or collimation are available.
- ▶ The modules can directly be modulated by an analog or digital signal up to 20 MHz and up to 100 MHz, respectively.

Specifications

Dimensions	39 x 39 x 100 mm ³
Fiber Coupling	Pigtail, single mode, Polarization maintaining fiber
Fiber jacket	3 mm PVC, optional: 5 mm steel-reinforced silicone, 5 mm stainless steel
Spectral width (FWHM)	< 3 nm
Operation <i>CW operation</i> Analog modulation in power control mode Analog modulation in current control mode Digital modulation in current control mod	Bandwidth 1 MHz 20 MHz 100 MHz
Modulation signal	0 ... 5 V
Laser enable / disable	TTL Signal, 1 MHz
Polarization at fiber output	> 80:1
Operation temperature range	15°C ... 40°C
Optical noise	< 1 % rms @ > 30 Hz ... 10 MHz
Power stability over 8 h	< ±2 %
Operating voltage	12 ... 15 V

Dimensions



Options

- › Collimated output
- › Customized output connectors
- › Customized OEM versions

Applications

- › Confocal microscopy
- › Flow cytometry
- › Cell sorting