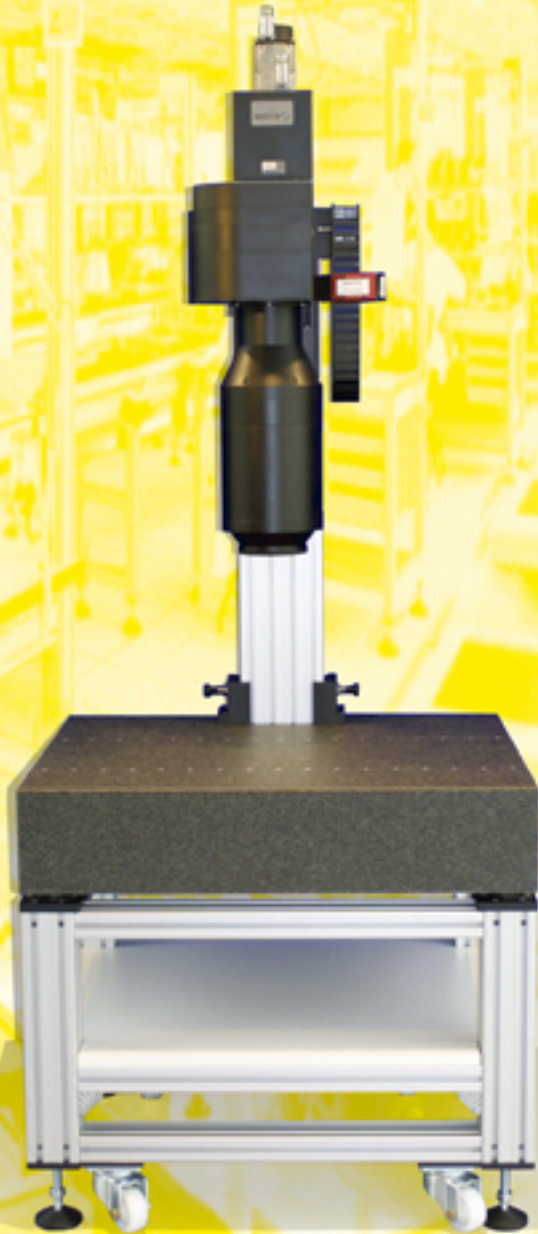


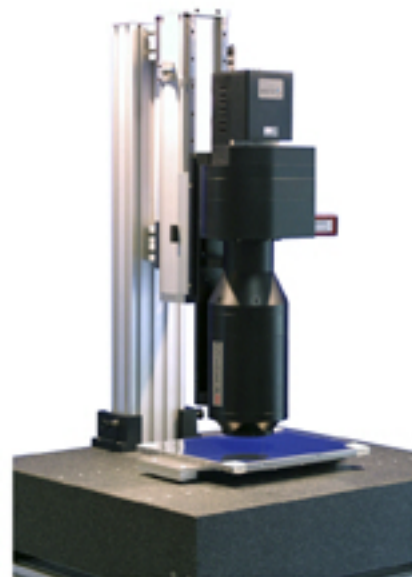
LABORATORY BENCH FOR VIEWING ANGLE MEASUREMENTS



This laboratory bench handles viewing angle characterization of sample with **ELDIM EZContrast** equipment. It provides a strong holding of the sensor in z position and a stable reference plate for your sample.

The bench is composed of a metallic structure that supports the entire system, a granite working surface and **a motorized Z axis** to adjust the working distance. All the electronics of the systems are included in the package. The Z axis can be **controlled** manually **by joystick or by software** via RS232 communication.

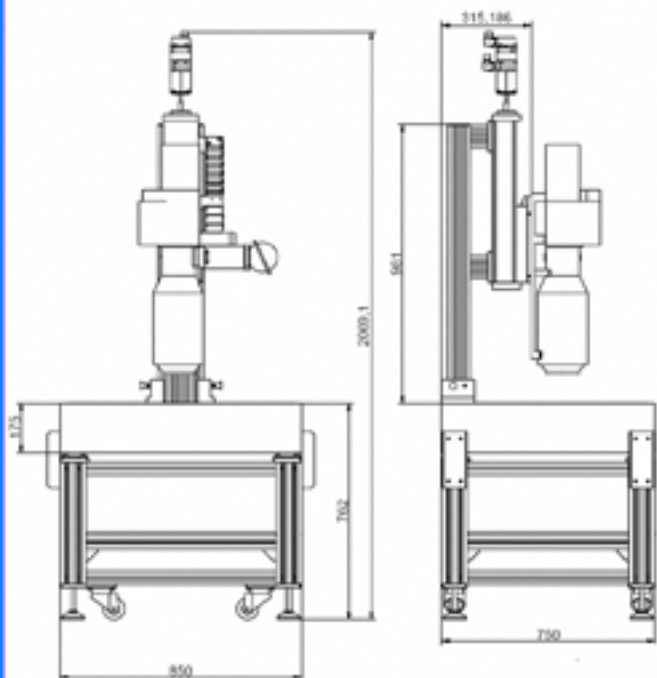
Different **additional tools** can be adapted on the granite surface like a static sample holder, a display holder with manual or motorized XY movements or a backlight system dedicated to liquid crystal tilt angle measurements.



**Make your
measurements
easier !**

Main Characteristics

- Z axis automated (optionnal XY axis manual or automated)
- Maximum sample size : 800 x 600mm (display format up to 40")
- Stiff design with anti vibration system (Working surface is a granite base)
- Powerful and precise motorized vertical movement
- Security included (motor brake and stop button)
- Down table included for additional instruments and electronics
- Progressive joystick for manual control
- Articulate vertical axis for easy attachment of the EZContrast system
- High quality components



Compatible with

- EZContrast XL88W
- EZContrast XL88
- EZContrast L80W
- EZContrast L80
- EZLite

Z Characteristics	Comments
Construction	Compact, anodized aluminium frame
Guide way	Ball rail system
Movement type	Ball screws + brushless motor + optical encoder
Max movement	300 mm
Security	Brake integrated
Speed	20 mm/s
Positioning accuracy	$\pm 10\mu\text{m}$
controler resolution	$1\mu\text{m}$
Control	Joystick for manual adjustment or RS232 port

