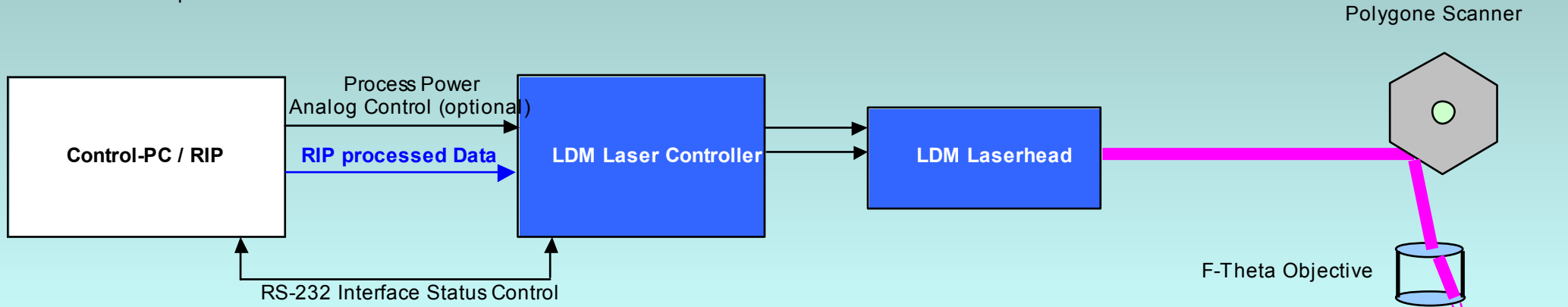


# Application: Computer to Plate (CtP) with LDM Laser Systems

Flatbed Principle:



Drum Principle:

