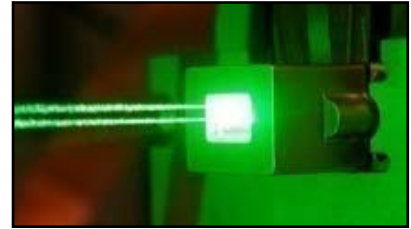




Necsel™ Visible Array

NECSEL-532-3000

Specifications



Necsel 532-3000 is a Visible Array Package with power of 3W average power. The product is offered as a component or a complete module including driver electronics and fiber coupling.

Laser parameter	Symbol	Limits			Unit
		Min	Typ	Max	
Operating Power (QCW average)	P_{op}	3	3.0	4.0	W
Output Power Stability, Constant Power Mode ¹	-	-	3	5	%PP
Package Thermistor Temperature	T_{Necsel}	20	35	40	°C
Center Wavelength	λ_m	527	532	537	nm
Spectral Width @ FWHM	$\Delta\lambda_m$	-	0.2	0.5	nm
Single Beam Specifications					
Beam Diameter @ ¹ / e^2	$2\omega_r$	-	0.08	0.15	mm
Beam Divergence, Full Angle	θ_r	8	10	14	mrad
Beam waist location row 1 ²	Z_o	-16	-14.5	-13	mm
Beam waist location row 2 ²	Z_o	-27	-30	-33	mm
RMS Optical Noise ⁵		-	1	2	%

¹ Over 2 hours, after warm-up and $\pm 3^\circ\text{C}$.

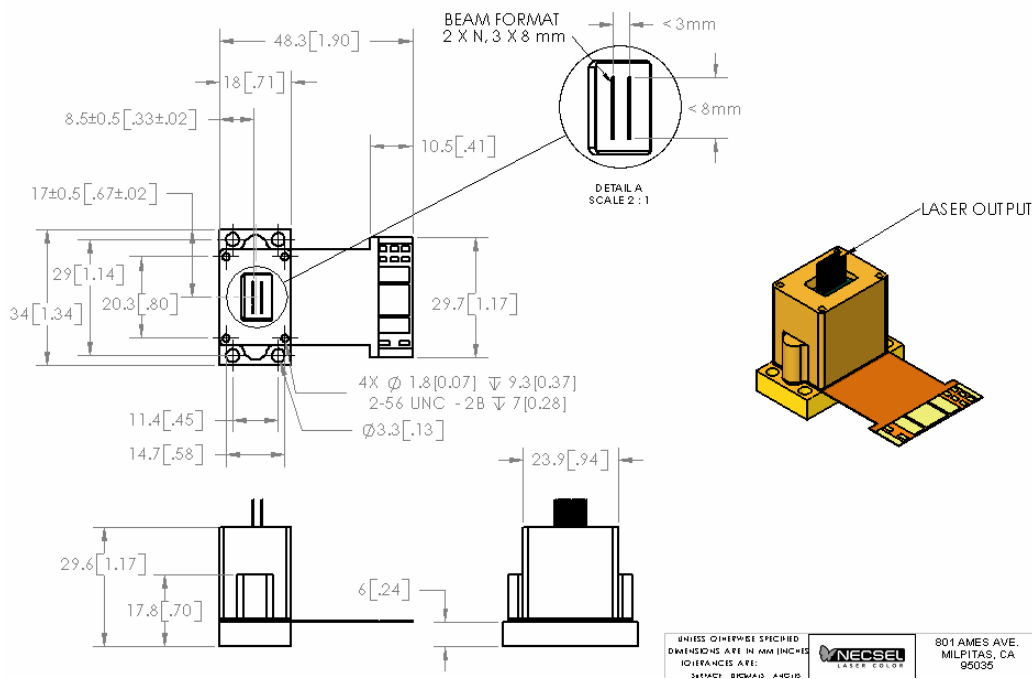
² Relative to the top of the cap. Row 2 is the row closer to the flex circuit.

³ Formatted as two sets of beams separated by ~3mm.

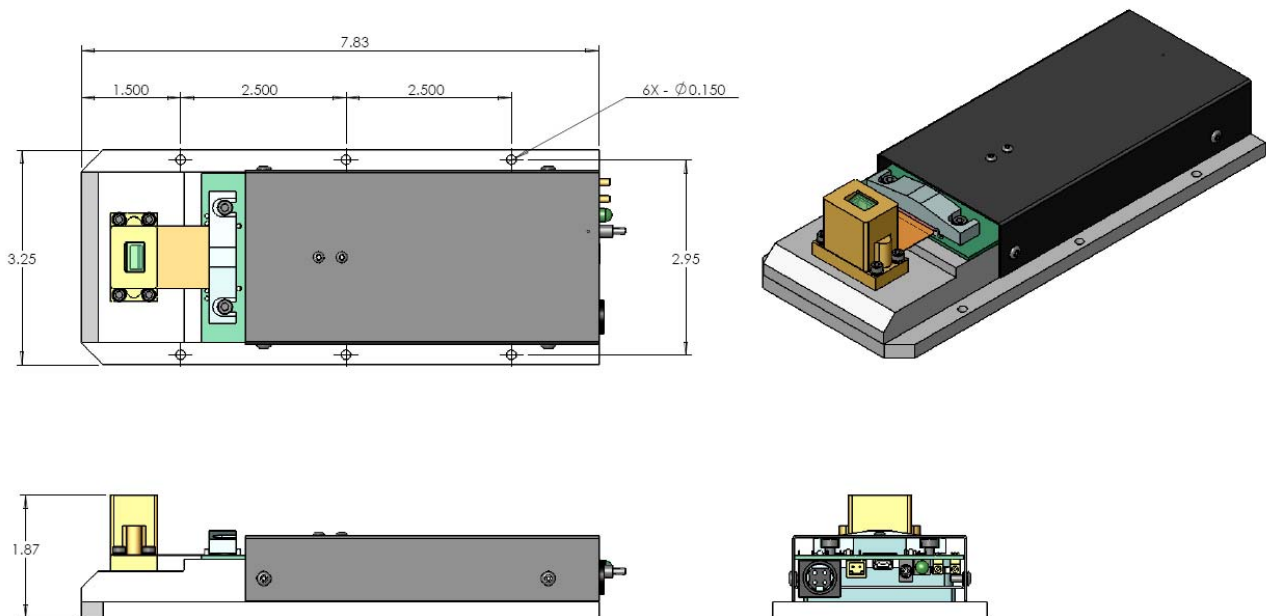
⁴ Defined as the area of an aperture placed at the emitting face of the package that encompasses all beams.

⁵ 20 to 120 Hz.

Mechanical Specifications for Component



Mechanical Specifications for Complete Module



NECSEL
801 Ames Avenue
Milpitas, CA 95035